

Pulse Light Modules

The Pulse light units are a range of addressable modules designed for use with the Lux Intelligent emergency lighting test panel. The modules provide the ability to make a standard emergency luminaire into an addressable luminaire that can be automatically tested and monitored by the Lux Intelligent panel twenty-four hours a day and three hundred and sixty-five days a year.

All the modules are loop powered, which means even if the local power fails where the luminaires or devices are installed, the panel will still be able to monitor their condition. They do not use any power from any batteries installed with the luminaires.

The Lxp-302 modules provide control and monitoring of the luminaire AC mains power, battery condition and lamp status, giving actual battery voltage and light level measurements at the control panel. The Lxp-304 module purely monitors the lamp status reporting an actual light level. This device is specifically designed for central battery and static inverter installations. Both the Lxp-302 and Lxp-304 modules can be configured to monitor a luminaire operating as either a maintained or non-maintained luminaire.

The Lxp-110 module provides control of a central battery unit, whilst also been able to monitor fault conditions via a dry contact input.

The Lxp-111 module must be used in conjunction with the Lxp-302/304 modules. It provides a light output based on the lamp current monitored. It is suitable for applications where it is not possible or convenient to monitor the actual light level directly, for example, tungsten lamps.

Installation

Typical wiring configurations are shown on the second page of this datasheet.



Features

- Allows standard emergency luminaire to be used as an addressable luminaire
- Allows the monitoring of critical parameters
- Enables the automatic testing of emergency luminaires
- Fully supports all the features of the Lux Intelligent panels

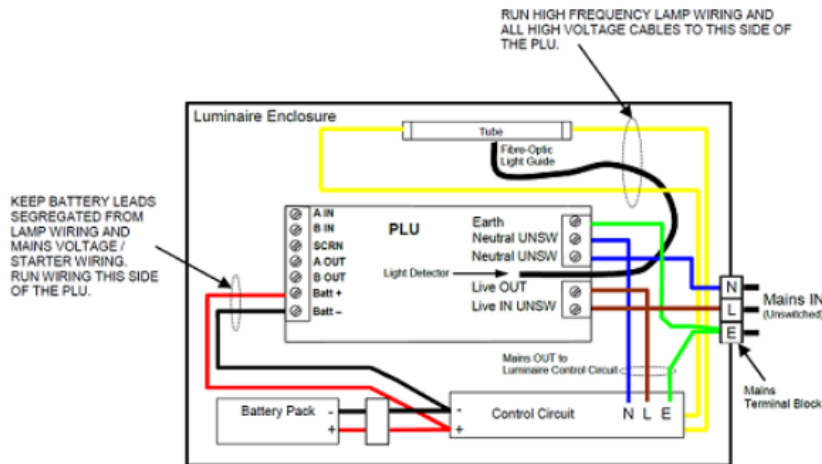
Specification

	Lxp-302	Lxp-304	Lxp-110	Lxp-111
Dims. (H*W*D)	130*42*20	130*42*20	130*42*20	130*42*20
Fixing Centres	118mm	118mm	118mm	118mm
Temperature	65°C	65°C	65°C	65°C
Terminal Size	0.35-2.5mm ²	0.35-2.5mm ²	0.35-2.5mm ²	0.35-2.5mm ²
Addresses	1-249	1-249	1-249	1-249
Battery Range	1.2-12.0V ±2%	N/A	N/A	N/A
Relay Output	250V _{ac} (125VA)	N/A	N/A	N/A
Loop Voltage	15-32V _{dc}	15-32V _{dc}	15-32V _{dc}	N/A
Current	1.7mA	1.7mA	1.7mA	N/A
Current (Energised)	1.7mA	N/A	4.0mA	N/A
Current (On)	N/A	N/A	2.7mA	N/A
Input Load	N/A	N/A	N/A	40-150W

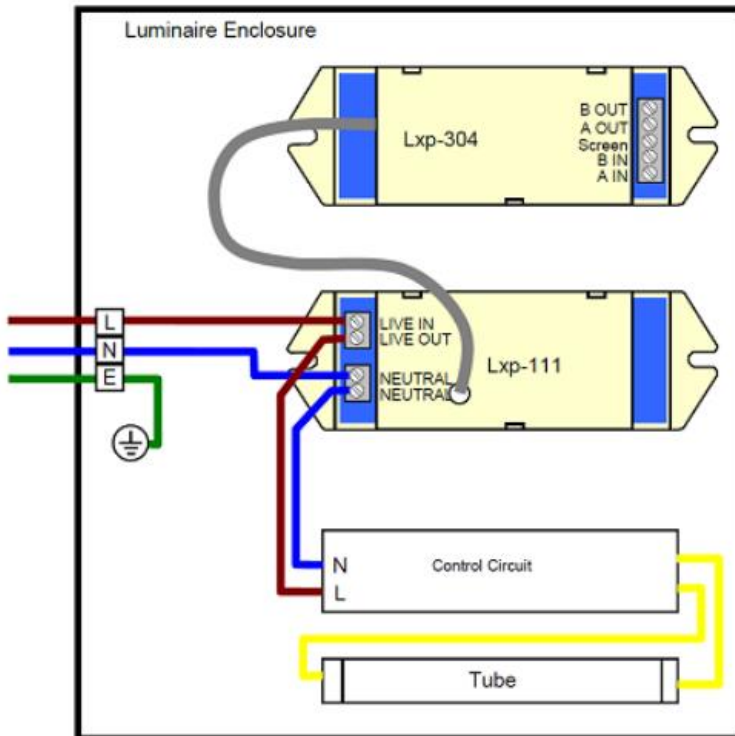
More Information

All pulse light modules communicate over a two-wire communication link. They all have two pairs of terminal chambers to allow loop in and loop out cabling. The Lxp-302 and Lxp-304 modules are supplied with the necessary grommets for mounting of the fibre optics, whilst it is also possible for them to be supplied with the necessary clips for attachment to fluorescent tubes (append -T5 for T5 diameter tubes and -T8 for T8 diameter tubes, for example, **Lxp-302-T8**).

Typical Lxp-302 Wiring Installation



Typical Lxp-111 Installation



For more information on these products, please contact us:



T: 00353 47 86274 / 00353 47 86663

E: Sales@irishsafetysystems.ie